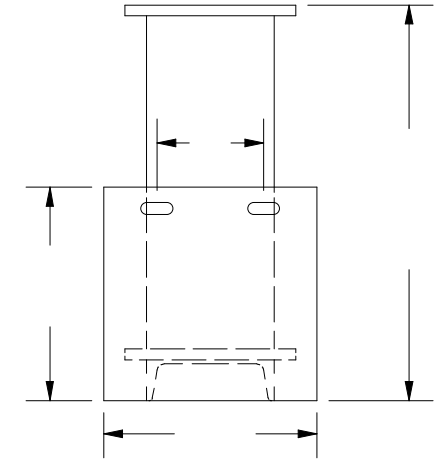
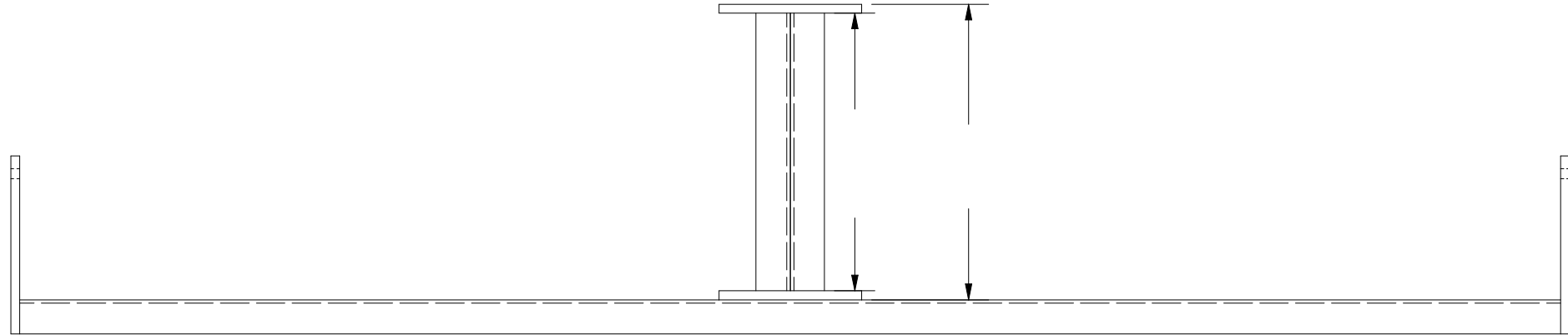
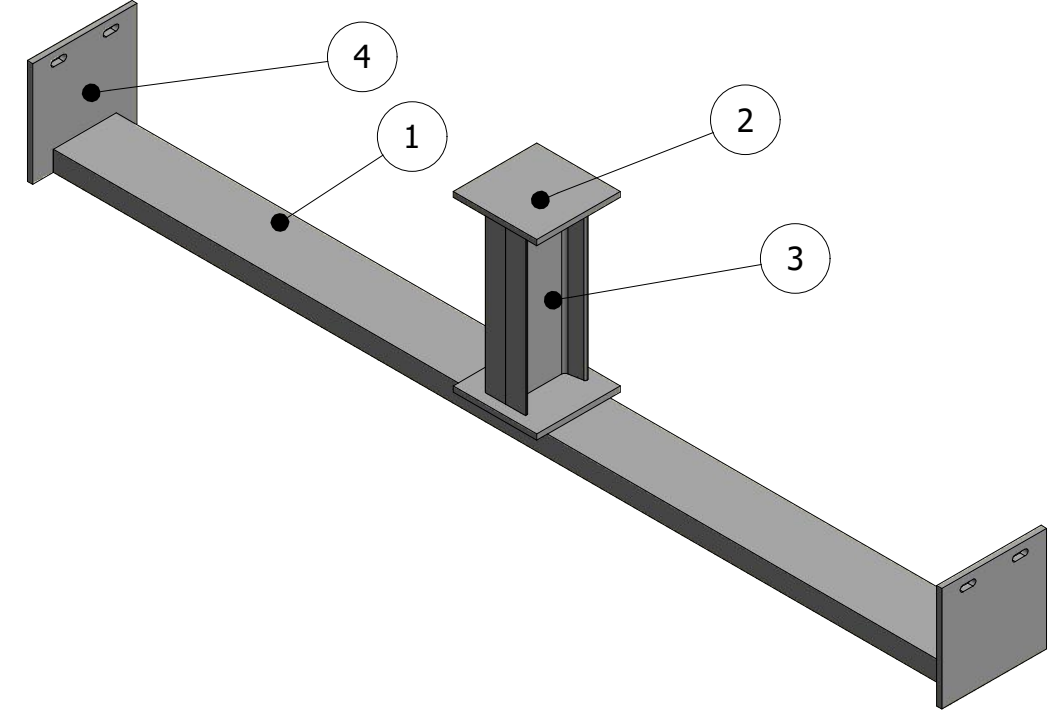
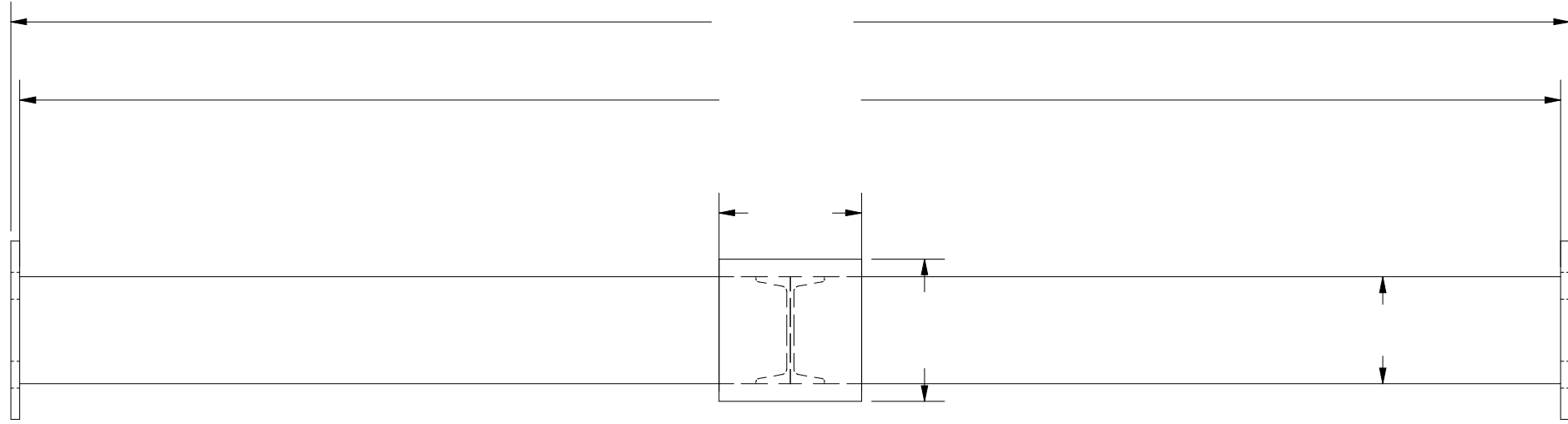


PARTS LIST				
ITEM	QTY	PART NUMBER	DESCRIPTION	MASS
1	1	21594-901	LONG CHANNEL	64.716 lbmass
2	2	21594-902	BUFFER PLATE	9.075 lbmass
3	2	21594-903	BUFFER STAND CHANNEL	11.682 lbmass
4	2	21594-904	RAIL PLATE	13.960 lbmass



QTY:

DRAWN BY: Jer B.	DATE: 2018-05-14	THIS DRAWING IS THE PROPERTY OF AVT-BECKETT ELEVATOR LTD., AND IS LOANED UNDER THE EXPRESS CONDITIONS THAT IT MUST NOT BE COPIED OR USED WITHOUT PERMISSION AND IS TO BE RETURNED ON DEMAND.	
CHK'D BY:	DATE:	UNLESS OTHERWISE NOTED TOLERANCES TO BE:	THIRD ANGLE PROJECTION
CUSTOMER:		FRACTIONAL ± 1/16" ANGULAR ± 0.5° DECIMAL: .X ± 0.050 .XX ± 0.030 .XXX ± 0.010	UNLESS OTHERWISE NOTED MACHINED SURFACES TO BE: 250 125
DRAWING SCALE: See noted scale, if any drawing is not to scale		UNLESS OTHERWISE SPECIFIED ALL DIMENSIONS ARE IN INCHES ALL ARE OUTSIDE DIMENSIONS	PROJECT NUMBER.: DRAWING/PART NO.: DESCRIPTION.: CAR PIT STEEL
		PROJECT NAME.:	REFERENCE: PHASE: REV. NO.:
		FILENAME & PATH.:	C:\Vault Workspace\Design\JOBS\SEL CO\SLO-205-905-21594 (20 SANDERLING)\21594-900.lam

4

3

2

1

4

3

2

1