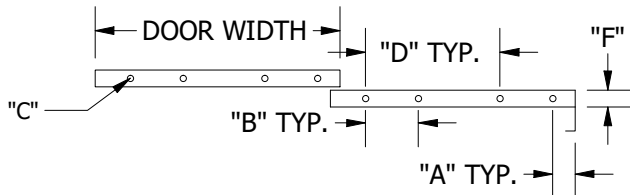


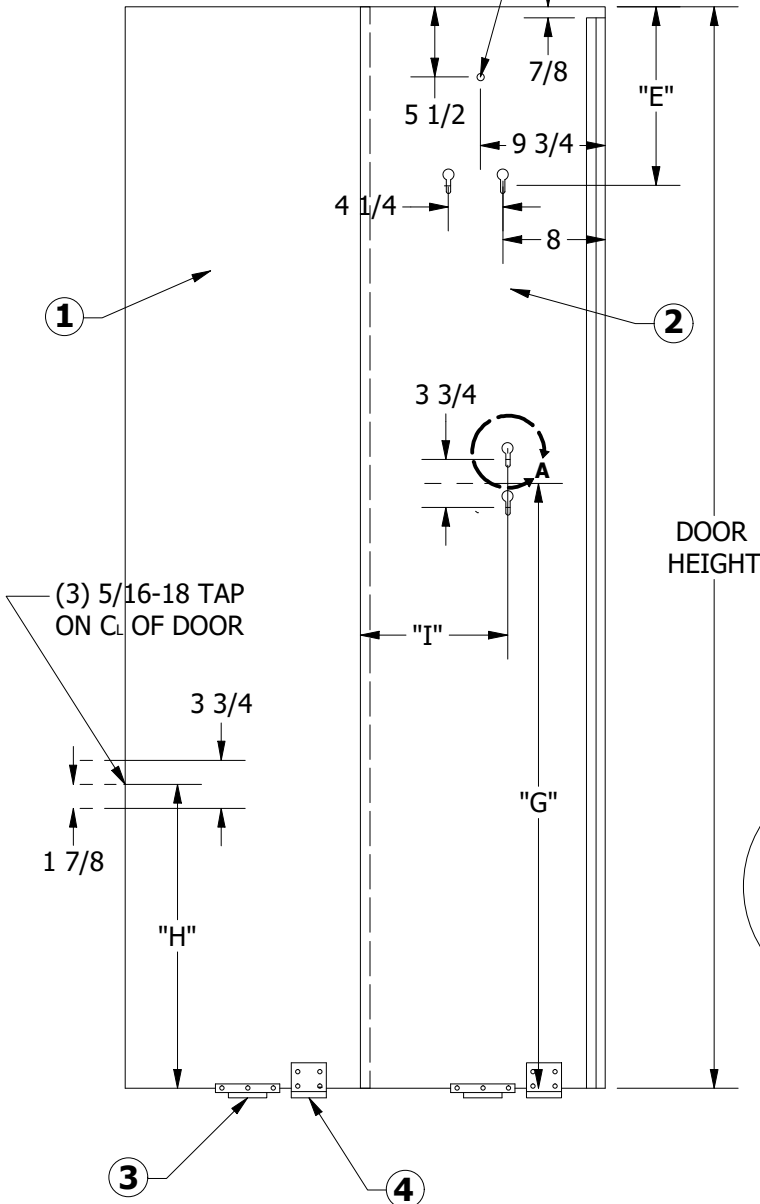
TWO SPEED HALL DOOR SURVEY

LOBBY SIDE



LEFT HAND AS SHOWN
RIGHT HAND OPPOSITE

EMERGENCY KEY HOLE



1

2

3

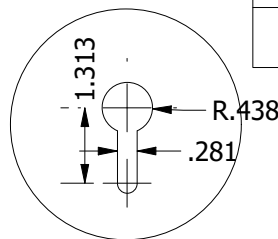
4

HOISTWAY SIDE

PARTS LIST		
ITEM	QTY	DESCRIPTION
1	1	LEFT DOOR PANEL
2	1	RIGHT DOOR PANEL
3	2	DOOR GIB
4	2	RETAINER

DOOR SPECIFICATIONS

DOOR OPENING	36	48	CUSTOM SIZE
DOOR WIDTH	19 1/8	25 1/8	
DOOR HEIGHT	84 1/2	84 1/2	
A	1 3/4	1 3/4	
B	4 1/8	4 1/8	
C	3/8-16 UNC	3/8-16 UNC	
D	10 1/2	16 1/2	
E	14	22	
F	1 1/4 1 5/16	1 1/4 1 5/16	
G	47 1/2	50 1/2	
H	24	25	
I	11 1/2	12 1/2	
PAINT			
STAINLESS			
OTHER			



DETAIL A

SPECIFY FINISH

THICKNESS (POWDER COAT)	1 1/4 STANDARD GRAY
THICKNESS (CLADDING)	1 5/16

ORDER INFORMATION

COMPANY NAME:	
JOB NAME:	
DATE:	

TWO SPEED HALL DOOR (GAL)

THIS DRAWING IS THE PROPERTY OF AVT-BECKETT ELEVATORS, AND IS LOANED UNDER THE EXPRESS CONDITIONS THAT IT MUST NOT BE COPIED OR USED WITHOUT PERMISSION AND IS TO BE RETURNED ON DEMAND.



AVT Beckett Elevators
www.avtbeckett.com