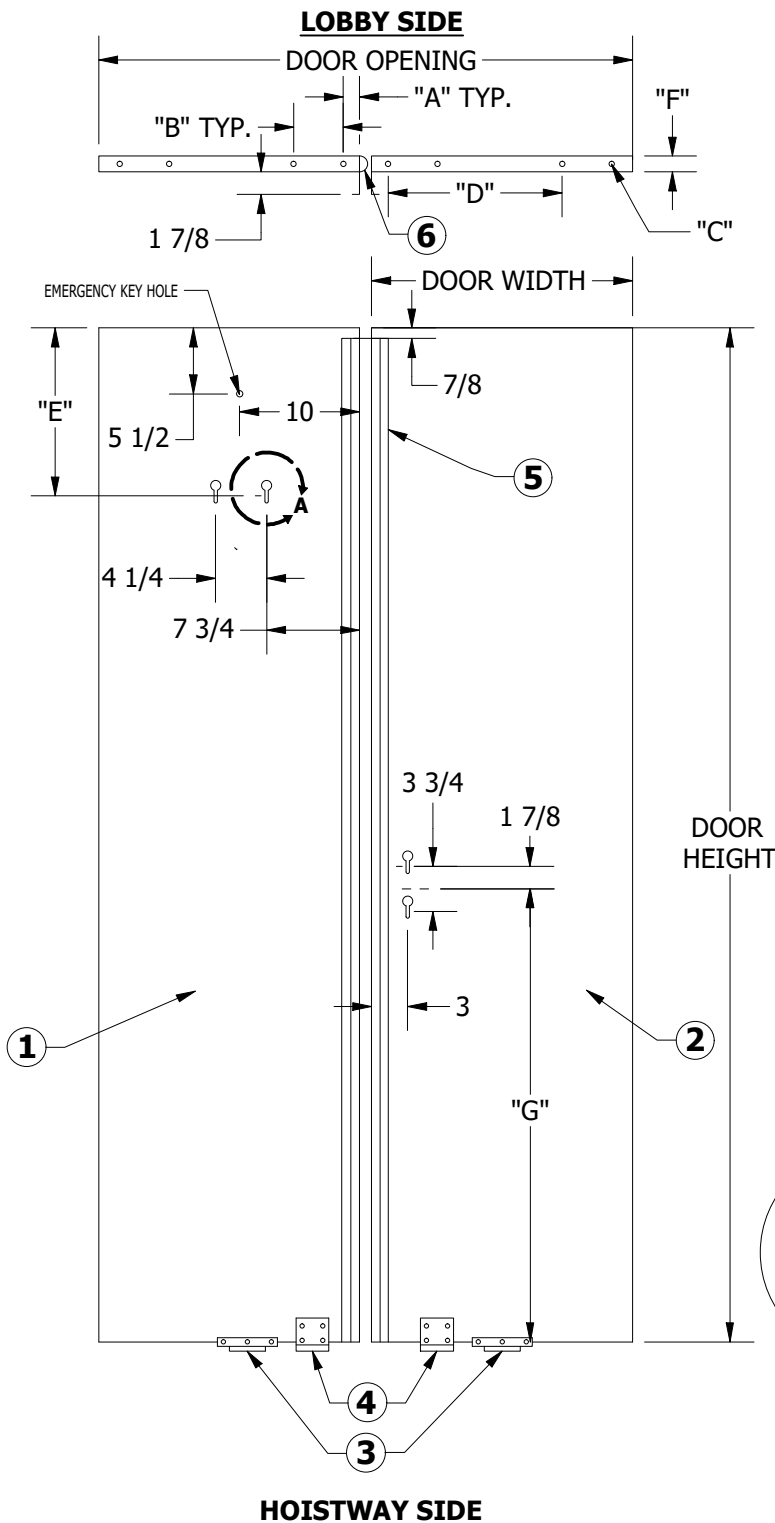
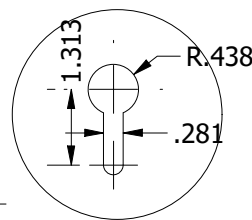


# CENTER PARTING HALL DOOR SURVEY



PARTS LIST		
ITEM	QTY	DESCRIPTION
1	1	LEFT DOOR PANEL
2	1	RIGHT DOOR PANEL
3	2	DOOR GIB
4	2	RETAINER
5	2	SIGHT GUARD
6	1	RUBBER ASTRAGAL

DOOR SPECIFICATIONS				
DOOR OPENING	36	42	48	CUSTOM SIZE
DOOR WIDTH	18 3/4	21 3/4	24 3/4	
DOOR HEIGHT	84 1/2	84 1/2	84 1/2	
A	1 3/8	1 3/8	1 3/8	
B	4 1/8	4 1/8	4 1/8	
C	3/8-16 UNC	3/8-16 UNC	3/8-16 UNC	
D	11 1/2	14 1/2	17 1/2	
E	10	14	14	
F	1 1/4 1 5/16	1 1/4 1 5/16	1 1/4 1 5/16	
G	38	38	36	
PAIN				
STAINLESS				
OTHER				



**DETAIL  
A**

SPECIFY FINISH	
THICKNESS (POWDER COAT)	1 1/4 STANDARD GRAY
THICKNESS (CLADDING)	1 5/16

ORDER INFORMATION	
COMPANY NAME:	
JOB NAME:	
DATE:	

## CENTER PARTING HALL DOOR (GAL)

THIS DRAWING IS THE PROPERTY OF AVT-BECKETT ELEVATORS, AND IS LOANED UNDER THE EXPRESS CONDITIONS THAT IT MUST NOT BE COPIED OR USED WITHOUT PERMISSION AND IS TO BE RETURNED ON DEMAND.



AVT Beckett Elevators  
www.avtbeckett.com